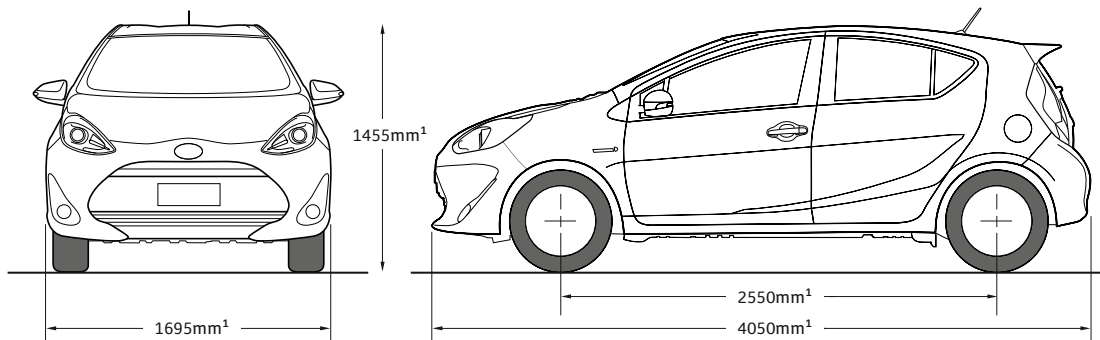


Prius c



MECHANICAL SPECIFICATIONS		Prius c	Prius c i-Tech®
Hybrid System	Combined system output	74kW	
	Three driving modes	'Normal', 'ECO' and 'EV'	
Petrol Engine	Engine description	1.5L Atkinson cycle 4-cylinder petrol engine	
	Maximum power/torque	54kW @ 4800rpm/111Nm @ 4000rpm	
Electric Motor	Maximum voltage/power/torque	520V/45kW/169Nm	
Fuel Consumption	Fuel economy – (L/100km)/emissions – (CO ₂ g/km)	3.9L/100km ² /90g/km ²	
Transmission	Transmission type	Continuously Variable Transmission (CVT)	
Steering and Brakes	Premium steering wheel with steering wheel controls	•	•
	Regenerative braking system	•	•

PRIUS C MODEL		Prius c	Prius c i-Tech®
Capacities and Weights (Approximate)	Vehicle kerb weight (kg) ¹	1120–1140kg	
	Seating capacity	5	
	Fuel tank capacity (L)	36L	
Wheels	Size and type	15" steel	15" alloy
	Temporary spare wheel	•	•

PRIUS C MODEL		Prius c	Prius c i-Tech®
Exterior	Front fog lamps	•	•
	Auto-levelling LED headlamps		•
	Privacy glass		•
	Retractable side view mirrors	•	•
Interior	Premium seats and trim		•
	60:40 split fold rear seats	•	•
Instruments and Controls	Smart entry and smart system	•	•
	Automatic climate control air conditioning	•	•
	Energy monitor/Hybrid system indicator/Multi Information Display (MID)	•	•
	Cruise control	•	•
Entertainment	6.1" colour touchscreen with voice recognition and Bluetooth® ³ connectivity, satellite navigation, ⁴ SUNA™ traffic channel, ⁵ Toyota Link ⁶ and 6 speakers	•	•
Safety	Anti-lock Braking System (ABS) with Electronic Brake-force Distribution (EBD) and Brake Assist (BA), Vehicle Stability Control (VSC) with Traction Control (TRC) and Hill-start Assist Control (HAC)	•	•
	Reversing camera	•	•
	7 SRS airbags – dual front, front side and full length curtain airbags and driver's knee airbag	•	•
	Driver and front passenger pre-tensioner and force limiter seatbelts and 3-point ELR seatbelts for rear left and right seats	•	•
	LED taillights with Emergency Brake Signal	•	•

- Vehicle weights/mass and dimensions are approximate and subject to individual vehicle variances. Vehicles should be individually weighed and measured before fitting any accessories, towing or designing any compatible trailer/caravan or otherwise using the vehicle in any way that depends on this value.
- Achieved in test conditions. Actual fuel consumption and emissions may vary depending on driving conditions/style, vehicle condition and options/accessories fitted. Fuel consumption data provided for comparison purposes only. Source: ADR81/02 combined cycle.
- The Bluetooth® word mark is owned by Bluetooth SIG, Inc. Not all devices will be compatible and functionality varies depending on the device.

- Current navigation mapping database encompasses major capital and primary national road networks and offers some coverage in regional areas.
- SUNA™ GPS Traffic Updates are only available in metropolitan Adelaide, Brisbane, Canberra, Gold Coast, Melbourne, Perth and Sydney; it operates from information provided by Intellematics Australia and may not cover all road incidents and congestion. See sunattraffic.com.au for details.
- Toyota Link is available on certain vehicle models and grades only. Toyota Link services rely on data from the driver's compatible mobile phone and information provided by third parties. Availability is dependent on a number of factors, including the availability of third party information, mobile

service, sufficient mobile data allowance and GPS satellite signal reception. Mobile usage is at the user's cost. Toyota Australia reserves the right to add, remove or modify applications. Compatibility with smartphones will vary according to model and operating system. Further information (including smartphone compatibility) is provided at www.toyota.com.au/toyotalink

IMPORTANT NOTICE – PLEASE READ:

Toyota Australia uses its best endeavours to ensure material is correct when published. Check with your authorised Toyota dealer when ordering to ensure the vehicle with your chosen specifications, equipment and colour is available and can be delivered within the timeframe suitable to you. When ordering accessories, check with your authorised Toyota dealer to ensure the accessory's design, features and colours are available and fit your vehicle. Ensure the mass of your load does not exceed the maximum allowable individual axle capacity,

Gross Vehicle Mass and/or Gross Combined Mass of the vehicle. Refer to toyota.com.au for further details. Colours displayed are a guide only and may vary from actual colours due to printing/display processes. Certain accessories when fitted will require the removal of standard equipment, which may be retained by Toyota Australia or your Toyota dealer. Toyota Australia reserves the right to change, without notice, prices, colours, materials, equipment, specifications and discontinue colours/models. To the extent permitted by law, Toyota Australia will not be liable for any

damage, loss or expense incurred as a result of reliance on this material in any way. Distributed nationally (other than in Western Australia) by Toyota Motor Corporation Australia Limited ABN 64 009 686 097, 155 Bertie St, Port Melbourne 3207. Material distributed in Western Australia by or on behalf of Prestige Motors Pty Ltd (for vehicles) and by Eastpoint Pty Ltd (for parts/accessories). Toyota Australia makes no warranties regarding (and will not be liable for) accuracy of materials distributed in Western Australia. PROOF HQ: T2017-007701. AUGUST 2017. GTP1730.